



## Technical Features



Casing:  
Black forge  
(standard)



Panels:  
Anodized  
aluminium  
(standard)



Panels:  
Stainless  
Steel  
(optional)



Other colors  
on request



Range  
**Up to 13,8 ft**



Heating types  
**E : electrical 3 stages**  
**P : water**  
**A : unheated**



Casing  
**Galvanised Steel [\*]**



Airflow / Length  
**1103 - 3914 cfm**  
**3,2 ft to 8,2 ft**



Heating capacity  
**E : 7,5 - 30,5 kW**  
**P : 30,13 - 114,75**  
**kBtu/h**



Grille type  
**Micro-perforated**  
**with prefilter function**



Fans  
**Centrifugal**  
**5-speed**



Control  
**Plug&Play manual regulator**  
**+ IR remote control**



Outlet lamellas  
**Aluminium, airfoil type**  
**Adjustable 0-15° each side**

[\*] Customizable dimensions on request

Decorative, minimalist and elegant, ZEN air curtain is it the favorite for architects and designers to include in their projects. Its smart design and high performance is perfect to blend with any building's internal or external aesthetics. Apart from seamlessly integrating into any space, ZEN can become an active part of the decor and ambience of the premises offering more features than a standard air curtain.

ZEN air curtain offers infinite possibilities of customization. Central casing made of galvanized steel finished in black forge as standard. Front anodized aluminium panels, optionally manufactured in brushed or mirror polished stainless steel. Other materials are possible, such as wood, metal, etc. Other colours are available on request. Special finishes with other materials such as aged metal, wood, glass, PVC / PES, logos, signage, graphics, lights, clocks, vinyl or slogans.

This air curtain model works with double-inlet centrifugal fans driven by an external rotor motor with low noise level. EC models assembled with very low consumption efficiency fans.

Includes Plug&Play control with 23ft RJ45 cable, infrared remote control and magnetic door contact. For electrical heated models also includes thermostat.

CSA certified.

### UNHEATED 208V-1ph~60Hz

Model	Airflow	Ventilation power	Ventilation current	Noise level	Weight
	cfm	208V-1ph~60Hz kW	208V-1ph~60Hz A	(5 m) dB(A)	
ZEN G 1000 A	1368	0,332	1,61	56	79,4
ZEN G 1500 A	1824	0,442	2,14	57	110,2
ZEN G 2000 A	2737	0,663	3,21	58	152,1
ZEN G 2500 A	3193	0,774	3,75	59	183
ZEN ECG 1000 A	1589	0,319	2,79	60	79,4
ZEN ECG 1500 A	2119	0,425	3,72	61	110,2
ECG 2000 A	3178	0,638	5,58	62	152,1
ECG 2500 A	3708	0,744	6,51	63	183



UNHEATED 240V-1ph~60Hz

Model	Airflow	Ventilation power 240V-1ph~60Hz	Ventilation current 240V-1ph~60Hz	Noise level (5 m)	Weight
	cfm	kW	A	dB(A)	lb
ZEN G 1000 A	1457	0,395	1,65	57	79,4
ZEN G 1500 A	1942	0,526	2,20	58	110,2
ZEN G 2000 A	2913	0,789	3,30	59	152,1
ZEN G 2500 A	3399	0,921	3,85	60	183
ZEN ECG 1000 A	1677	0,381	2,94	61	79,4
ZEN ECG 1500 A	2236	0,508	3,92	62	110,2
ZEN ECG 2000 A	3354	0,762	5,88	63	152,1
ZEN ECG 2500 A	3914	0,889	6,86	64	183

ELECTRIC HEATED 208V-1ph~60Hz

Model	Airflow cfm	Electrical heating capacity (*) 208V-3ph~60Hz	Electrical heating capacity (*) 460V-3ph~60Hz	Electrical heating capacity (*) 480V-3ph~60Hz	Electrical heating capacity (*) 575V-3ph~60Hz	Ventilation power 208V-1ph~60Hz	Ventilation current 208V-1ph~60Hz	Noise level (5 m)	Weight
		kW	kW	kW	kW	kW	A	dB(A)	lb
ZEN G 1000 E	1324	2,5/5/7,5	2,5/5/7,5	3/5,5/8,5	3,5/4/7,5	0,332	1,61	56	94,8
ZEN G 1500 E	1766	3,5/6,5/10	3,5/7/10,5	4/7.5/11,5	5/5,5/10,5	0,442	2,14	57	136,7
ZEN G 2000 E	2648	5/9/14	5/10,5/15,5	5,5/11/16,5	6,5/8/14,5	0,663	3,21	58	187,4
ZEN G 2500 E	3090	5,5/9/14,5	6/12/18	6,5/13,19,5	8/9,5/17,5	0,774	3,75	59	227,1
ZEN ECG 1000 E	1589	4/8/12	4/8/12	4,3/8,7/13	4/8/12	0,319	2,79	60	94,8
ZEN ECG 1500 E	2119	6/9,5/15,5	5,5/10,5/16	5,8/11,7/17,5	5,5/11/16,5	0,425	3,72	61	136,7
ZEN ECG 2000 E	3178	5/9/14	8/16,5/24,5	8,8/17,7/26,5	8/16/24	0,638	5,58	62	187,4
ZEN ECG 2500 E	3708	5,5/9/14,5	9,5/18,5/28	10,2/20,3/30,5	9,5/19/28,5	0,744	6,51	63	227,1

(\*) Under request other electrical heating power can be limited.

For 208V~3ph~60Hz air Curtains there is only needed to connect three-phase power supply.

For the rest of air curtains, there is needed to connect both three-phase (for electrical heating) and single phase (for fans).

ELECTRIC HEATED 240V-1ph~60Hz

Model	Airflow cfm	Electrical heating capacity (*) 208V-3ph~60Hz	Electrical heating capacity (*) 460V-3ph~60Hz	Electrical heating capacity (*) 480V-3ph~60Hz	Electrical heating capacity (*) 575V-3ph~60Hz	Ventilation power 240V-1ph~60Hz	Ventilation current 240V-1ph~60Hz	Noise level (5 m)	Weight
		kW	kW	kW	kW	kW	A	dB(A)	lb
ZEN G 1000 E	1412	4/8/12	4/8/12	4,3/8,7/13	4/8/12	0,395	1,65	57	94,8
ZEN G 1500 E	1883	6/9,5/15,5	5,3/10,7/16	5,8/11,7/17,5	5,5/11/16,5	0,526	2,20	58	136,7
ZEN G 2000 E	2825	5/9/14	8,2/16,3/24,5	8,8/17,7/26,5	8/16/24	0,789	3,30	59	187,4
ZEN G 2500 E	3296	5,5/9/14,5	9,3/18,7/28	10,2/20,3/30,5	9,5/19/28,5	0,921	3,85	60	227,1
ZEN ECG 1000 E	1633	4/8/12	4/8/12	4,3/8,7/13	4/8/12	0,381	2,94	61	94,8
ZEN ECG 1500 E	2177	6/9,5/15,5	5,3/10,7/16	5,8/11,7/17,5	5,5/11/16,5	0,508	3,92	62	136,7
ZEN ECG 2000 E	3266	5/9/14	8,2/16,3/24,5	8,8/17,7/26,5	8/16/24	0,762	5,88	63	187,4
ZEN ECG 2500 E	3811	5,5/9/14,5	9,3/18,7/28	10,2/20,3/30,5	9,5/19/28,5	0,889	6,86	64	227,1

(\*) Under request other electrical heating power can be limited.



WATER HEATED 208V-1ph~60Hz

Model	Airflow cfm	P86 (176/140°F)		P64 (140/104°F)		P54 (122/104°F)		Ventilation power (*) kW	Ventilation current (*) A	Noise level (5 m) dB(A)	Weight lb
		Water heating capacity kBtu/h	Water pressure drop psi	Water heating capacity kBtu/h	Water pressure drop psi	Water heating capacity kBtu/h	Water pressure drop psi				
		ZEN G 1000 P	1103	33,75	0,15	30,13	0,73				
ZEN G 1500 P	1471	48,79	0,11	44,63	0,94	46,75	0,65	0,562	2,37	57	125,7
ZEN G 2000 P	2207	76,06	0,32	64,35	0,80	66,2	0,35	0,844	3,57	58	172
ZEN G 2500 P	2575	94,99	0,59	76,7	0,59	82,13	0,63	0,985	4,16	59	209,4
ZEN ECG 1000 P	1501	40,57	0,20	36,61	1,03	37,36	0,30	0,320	2,86	60	88,2
ZEN ECG 1500 P	2001	59	0,16	54,49	1,34	58,07	0,96	0,427	3,81	61	125,7
ZEN ECG 2000 P	3001	91,68	0,45	78,45	1,14	82,06	0,51	0,640	5,72	62	172
ZEN ECG 2500 P	3502	114,78	0,82	93,77	0,85	102,02	0,92	0,747	6,67	63	209,4

Water heated: connection pipes P86 and P64 are 2x3/4" female (male if lateral pipes), P54 2x1" male.  
P86 2 rows coil, P64 3 rows coil, P54 4 rows coil.

(\*) Voltage 208-1ph~60Hz

WATER HEATED 240V-1ph~60Hz

Model	Airflow cfm	P86 (176/140°F)		P64 (140/104°F)		P54 (122/104°F)		Ventilation power (*) kW	Ventilation current (*) A	Noise level (5 m) dB(A)	Weight lb
		Water heat- ing capacity kBtu/h	Water pres- sure drop psi	Water heat- ing capacity kBtu/h	Water pres- sure drop psi	Water heat- ing capacity kBtu/h	Water pres- sure drop psi				
		ZEN G 1000 P	1324	37,67	0,18	33,85	0,90				
ZEN G 1500 P	1766	54,66	0,14	50,29	1,16	53,23	0,82	0,669	2,44	58	125,7
ZEN G 2000 P	2648	85,03	0,39	72,44	0,99	75,27	0,44	1,004	3,67	59	172
ZEN G 2500 P	3090	106,36	0,72	86,5	0,74	93,49	0,79	1,172	4,28	60	209,4
ZEN ECG 1000 P	1545	40,57	0,20	38,45	1,03	39,24	0,30	0,381	2,94	61	88,2
ZEN ECG 1500 P	2060	59	0,16	57,22	1,34	60,94	0,96	0,508	3,92	62	125,7
ZEN ECG 2000 P	3090	91,65	0,45	82,37	1,14	86,12	0,51	0,762	5,88	63	172
ZEN ECG 2500 P	3605	114,75	0,82	98,41	0,85	107,07	0,92	0,889	6,86	64	209,4

Water heated: connection pipes P86 and P64 are 2x3/4" female (male if lateral pipes), P54 2x1" male.  
P86 2 rows coil, P64 3 rows coil, P54 4 rows coil.

(\*) Voltage 240-1ph~60Hz

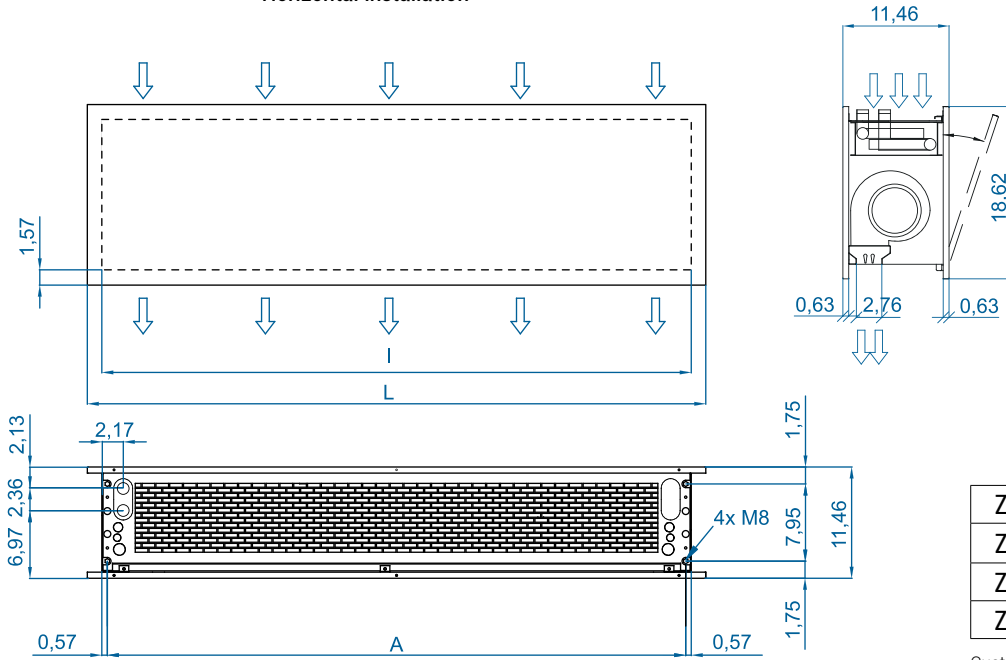


Selection program



## Dimensions

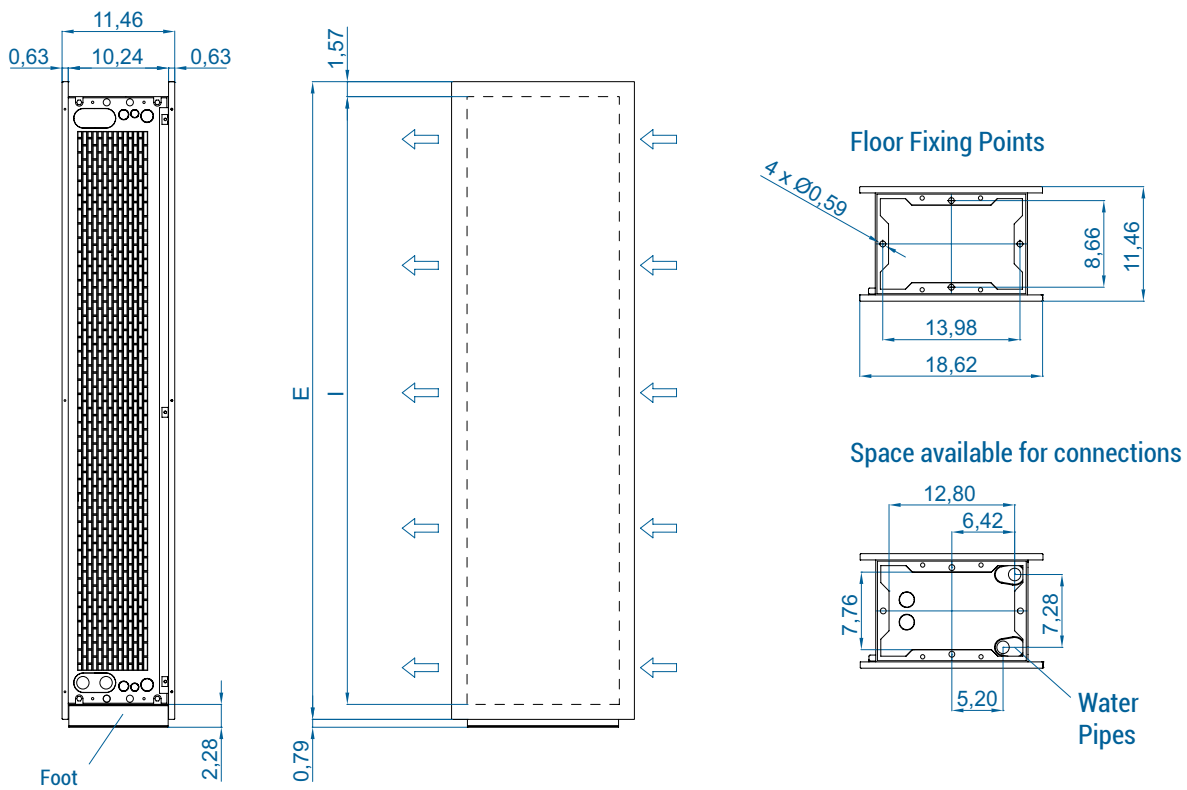
Horizontal installation



	L	I	A
ZEN 1000	48,03	44,88	43,89
ZEN 1500	63,78	60,79	59,65
ZEN 2000	83,46	80,47	79,33
ZEN 2500	103,15	100,16	99,02

Customizable dimensions on request.

Vertical installation



CAD drawings, installation manuals  
and other documentation





## Finishes

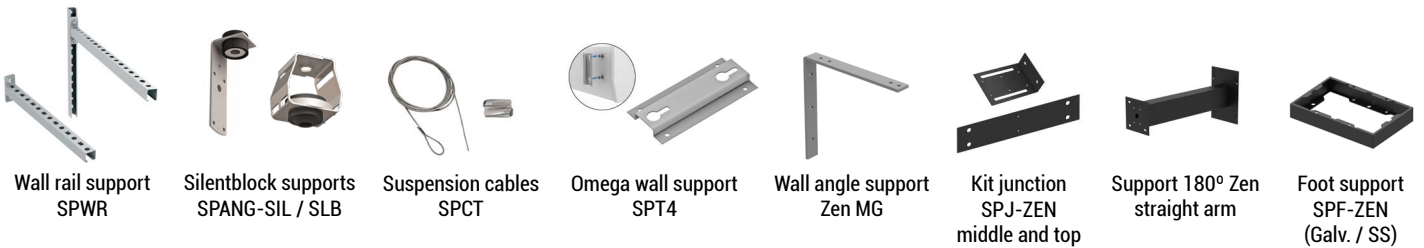
The front panel is designed to include graphics, logos, illuminated signs, signage, clocks or any other decorative element desired by the customer. Available in any colour from the RAL chart or in stainless steel.



**WATCH VIDEO**

## Optional accessories

### Supports and installation



### Control



### Sensors

