



Characteristics



- Self-supporting casing construction made of galvanized steel plate, ready to be installed recessed in a false ceiling.
- Inlet grille (free of maintenance) made with aluminium profiles and blow-out nozzle, integrated in a single white frame colour RAL 9016. Other colours are available on request.
- Anodized aluminium outlet vanes, airfoil shaped, adjustable in both directions.
- Double-inlet centrifugal fans driven by an external rotor motor and low noise level. 5-speed selector. "EC" models with very low consumption efficient fans.
- "P" type with water heated coil. "E" type with electrical shielded elements, three stages with integrated regulation. "A" type without heating, air only.
- Includes Plug&Play control with 7m RJ45 cable and infrared remote control. Optional: Clever control (programmable, automatic, intelligent, energy saving, Modbus RTU for BMS...).
- Air curtain with UL components, but without being certified

Specifications

AIR ONLY 208 V

Model	Airflow m³/h	Power Fans 208V-60Hz kW	Current Fans 208V-60Hz A	Noise Level (5 m) dB(A)	Weight kg
RM 1000 A 60Hz	1850	0,221	1,07	54	57
RM 1500 A 60Hz	2775	0,332	1,61	55	85
RM 2000 A 60Hz	3700	0,442	2,14	56	109
RM 2500 A 60Hz	4625	0,553	2,68	57	137
RG 1000 A 60Hz	2325	0,332	1,61	56	61
RG 1500 A 60Hz	3100	0,442	2,14	57	90
RG 2000 A 60Hz	4650	0,664	3,21	58	118
RG 2500 A 60Hz	5425	0,774	3,75	59	145
RECG 1000 A 60Hz	2700	0,319	2,79	60	61
RECG 1500 A 60Hz	3600	0,426	3,72	61	90
RECG 2000 A 60Hz	5400	0,638	5,58	62	118
RECG 2500 A 60Hz	6300	0,745	6,51	63	145

AIR ONLY 240 V

Model	Airflow m³/h	Power Fans 240V-60Hz kW	Current Fans 240V-60Hz A	Noise Level (5 m) dB(A)	Weight kg
RM 1000 A 60Hz	2000	0,263	1,10	55	57
RM 1500 A 60Hz	3000	0,395	1,65	56	85
RM 2000 A 60Hz	4000	0,526	2,20	57	109
RM 2500 A 60Hz	5000	0,658	2,75	58	137
RG 1000 A 60Hz	2475	0,395	1,65	57	61
RG 1500 A 60Hz	3300	0,526	2,20	58	90
RG 2000 A 60Hz	4950	0,790	3,30	59	118
RG 2500 A 60Hz	5775	0,921	3,85	60	145
RECG 1000 A 60Hz	2850	0,381	2,94	61	61
RECG 1500 A 60Hz	3800	0,508	3,92	62	90
RECG 2000 A 60Hz	5700	0,762	5,88	63	118
RECG 2500 A 60Hz	6650	0,889	6,86	64	145

WATER HEATED 208 V

Model	Airflow m³/h	P86		P64		P54		Power Fans 208V-60Hz kW	Current Fans 208V-60Hz A	Noise Level (5 m) dB(A)	Weight kg
		Heating Capacity 80/60°C kW	Water Drop Pressure 80/60°C Pa	Heating Capacity 60/40°C kW	Water Drop Pressure 60/40°C Pa	Heating Capacity 50/40°C kW	Water Drop Pressure 50/40°C Pa				
RM 1000 P 60Hz	1450	8,42	760	7,46	3730	7,35	1030	0,221	1,07	55	63
RM 1500 P 60Hz	2175	13,09	650	11,91	5510	12,38	3770	0,332	1,61	56	93
RM 2000 P 60Hz	2900	18,96	1660	15,88	4070	16,09	1720	0,442	2,14	57	122
RM 2500 P 60Hz	3625	24,71	3270	19,80	3270	20,98	3390	0,553	2,68	58	153
RG 1000 P 60Hz	1875	9,89	1010	8,83	5040	8,86	1430	0,332	1,61	56	67
RG 1500 P 60Hz	2500	14,30	770	13,08	6490	13,70	4510	0,442	2,14	57	98
RG 2000 P 60Hz	3750	22,29	2210	18,86	5530	19,40	2410	0,664	3,21	58	131
RG 2500 P 60Hz	4375	27,84	4040	22,48	4100	24,07	4330	0,774	3,75	59	163
RECG 1000 P 60Hz	2550	11,89	1400	10,73	7110	10,95	2090	0,319	2,79	60	67
RECG 1500 P 60Hz	3400	17,29	1070	15,97	9240	17,02	6630	0,426	3,72	61	98
RECG 2000 P 60Hz	5100	26,87	3080	22,99	7850	24,05	3530	0,638	5,58	62	131
RECG 2500 P 60Hz	5950	33,64	5650	27,48	5840	29,90	6370	0,745	6,51	63	163

Water heated: connection pipes P86 and P64 are 2x3/4" female (male if lateral pipes), P54 2x1" male. P86 2 rows coil, P64 3 rows coil, P54 4 rows coil.



WATER HEATED 240V											
Model	Airflow m³/h	P86		P64		P54		Power Fans 240V-60Hz kW	Current Fans 240V-60Hz A	Noise Level (5 m) dB(A)	Weight kg
		Heating Capacity 80/60°C kW	Water Drop Pressure 80/60°C Pa	Heating Capacity 60/40°C kW	Water Drop Pressure 60/40°C Pa	Heating Capacity 50/40°C kW	Water Drop Pressure 50/40°C Pa				
		RM 1000 P 60Hz	1650	9,14	880	8,12	4340				
RM 1500 P 60Hz	2475	14,21	760	12,99	6420	13,60	4450	0,395	1,65	57	93
RM 2000 P 60Hz	3300	20,58	1920	17,33	4750	17,69	2040	0,526	2,20	58	122
RM 2500 P 60Hz	4125	26,83	3790	21,62	3820	23,07	4010	0,658	2,75	59	153
RG 1000 P 60Hz	2250	11,04	1230	9,92	6190	10,06	1800	0,395	1,65	57	67
RG 1500 P 60Hz	3000	16,02	940	14,74	8020	15,60	5680	0,526	2,20	58	98
RG 2000 P 60Hz	4500	24,92	2700	21,23	6820	22,06	3030	0,790	3,30	59	131
RG 2500 P 60Hz	5250	31,17	4940	25,35	5070	27,41	5450	0,921	3,85	60	163
RECG 1000 P 60Hz	2625	12,09	1450	10,92	7340	11,17	2160	0,381	2,94	61	67
RECG 1500 P 60Hz	3500	17,59	1110	16,27	9550	17,36	3500	0,508	3,92	62	98
RECG 2000 P 60Hz	5250	27,34	3180	23,42	8110	24,53	3660	0,762	5,88	63	131
RECG 2500 P 60Hz	6125	34,23	5830	27,99	6040	30,51	6600	0,889	6,86	64	163

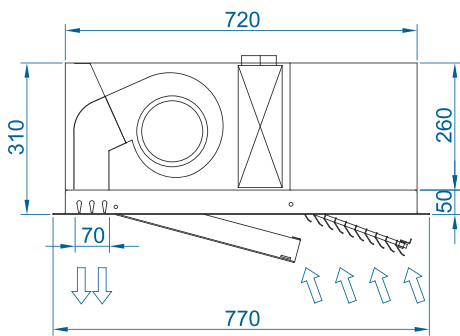
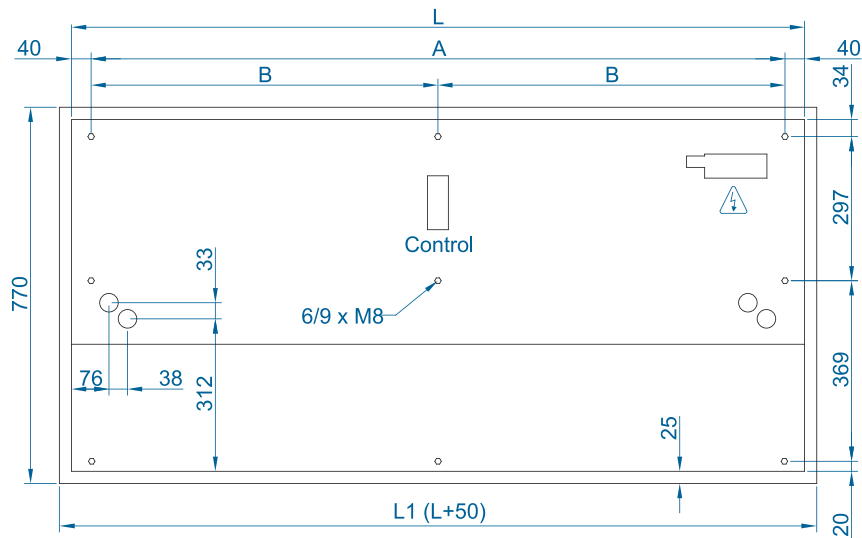
Water heated: connection pipes P86 and P64 are 2x3/4" female (male if lateral pipes), P54 2x1" male. P86 2 rows coil, P64 3 rows coil, P54 4 rows coil.

ELECTRICAL HEATED 208 V									
Model	Airflow m³/h	Electrical Heating Capacity 208Vx3-60Hz	Electrical Heating Capacity 460Vx3-60Hz	Electrical Heating Capacity 480Vx3-60Hz	Electrical Heating Capacity 575Vx3-60Hz	Power Fans 208V-60Hz	Current Fans 208V-60Hz	Noise Level (5 m) dB(A)	Weight kg
		kW	kW	kW	kW	kW	A		
RM 1000 E 60Hz	1800	2/4/6	2/4,5/6,5	2,5/7,5	3,5/3,5/7	0,221	1,07	54	65
RM 1500 E 60Hz	2700	3/6/9	3/6,5/9,5	3,5/7/10,5	5/5/10	0,332	1,61	55	98
RM 2000 E 60Hz	3600	4/8/12	4/8,5/12,5	4,5/9/13,5	6,5/6,5/13	0,442	2,14	56	130
RM 2500 E 60Hz	4500	5/8/13	5/10/15	5,5/11/16,5	8/8/16	0,553	2,68	57	162
RG 1000 E 60Hz	2250	2,5/5/7,5	2,5/5/7,5	3/5,5/8,5	3,5/4/7,5	0,332	1,61	56	70
RG 1500 E 60Hz	3000	3,5/6,5/10	3,5/7/10,5	4/7,5/11,5	5/5,5/10,5	0,442	2,14	57	104
RG 2000 E 60Hz	4500	5/9/14	5/10,5/15,5	5,5/11/16,5	6,5/8/14,5	0,664	3,21	58	140
RG 2500 E 60Hz	5250	5,5/9/14,5	6/12/18	6,5/13/19,5	8/9,5/17,5	0,774	3,75	59	172
RECG 1000 E 60Hz	2700	4/8/12	4/8/12	4,3/8,7/13	4/8/12	0,319	2,79	60	70
RECG 1500 E 60Hz	3600	6/9,5/15,5	5,5/10,5/16	5,8/11,7/17,5	5,5/11/16,5	0,426	3,72	61	104
RECG 2000 E 60Hz	5400	5/9/14	8/16,5/24,5	8,8/17,7/26,5	8/16/24	0,638	5,58	62	140
RECG 2500 E 60Hz	6300	5,5/9/14,5	9,5/18,5/28	10,2/20,3/30,5	9,5/19/28,5	0,745	6,51	63	172

ELECTRICAL HEATED 240 V									
Model	Airflow m³/h	Electrical Heating Capacity 208Vx3-60Hz	Electrical Heating Capacity 460Vx3-60Hz	Electrical Heating Capacity 480Vx3-60Hz	Electrical Heating Capacity 575Vx3-60Hz	Power Fans 240V-60Hz	Current Fans 240V-60Hz	Noise Level (5 m) dB(A)	Weight kg
		kW	kW	kW	kW	kW	A		
RM 1000 E 60Hz	1950	2,5/5/7,5	3,3/6,7/10	3,7/7,3/11	3,5/7/10,5	0,263	1,10	55	65
RM 1500 E 60Hz	2925	3/6,5/9,5	4,8/9,7/14,5	5,2/10,3/15,5	5/10/15	0,395	1,65	56	98
RM 2000 E 60Hz	3900	4/8/12	6,5/13/19,5	7/14/21	6,5/13/19,5	0,526	2,20	57	130
RM 2500 E 60Hz	4875	5/8/13	8,2/16,3/24,5	8,8/17,7/26,5	8/16/24	0,658	2,75	58	162
RG 1000 E 60Hz	2400	4/8/12	4/8/12	4,3/8,7/13	4/8/12	0,395	1,65	57	70
RG 1500 E 60Hz	3200	6/9,5/15,5	5,3/10,7/16	5,8/11,7/17,5	5,5/11/16,5	0,526	2,20	58	104
RG 2000 E 60Hz	4800	5/9/14	8,2/16,3/24,5	8,8/17,7/26,5	8/16/24	0,790	3,30	59	140
RG 2500 E 60Hz	5600	5,5/9/14,5	9,3/18,7/28	10,2/20,3/30,5	9,5/19/28,5	0,921	3,85	60	172
RECG 1000 E 60Hz	2775	4/8/12	4/8/12	4,3/8,7/13	4/8/12	0,381	2,94	61	70
RECG 1500 E 60Hz	3700	6/9,5/15,5	5,3/10,7/16	5,8/11,7/17,5	5,5/11/16,5	0,508	3,92	62	104
RECG 2000 E 60Hz	5550	5/9/14	8,2/16,3/24,5	8,8/17,7/26,5	8/16/24	0,762	5,88	63	140
RECG 2500 E 60Hz	6475	5,5/9/14,5	9,3/18,7/28	10,2/20,3/30,5	9,5/19/28,5	0,889	6,86	64	172



Dimensions



	L	L1	A	B
RWIN 1000	1000	1050	920	-
RWIN 1500	1500	1550	1420	710
RWIN 2000	2000	2050	1920	960
RWIN 2500	2500	2550	2420	1210

Finishes and details

Designed to be integrated in a false ceiling or in a bulkhead at the entrance of a local



Customizable inlet grille in RAL color optionally