



Characteristics



- Compact and low profile recessed air curtain with full grille view.
- Self-supporting casing construction made of galvanized steel plate, ready to be installed recessed in a false ceiling.
- Inlet grille (free of maintenance) made with aluminium profiles and blow-out nozzle, integrated in a single white frame colour RAL 9016. Other colours are available on request.
- Double-inlet centrifugal fans driven by an external rotor motor and low noise level. 5-speed selector. "EC" models with very low consumption efficient fans.
- "P" type with water heated coil. "E" type with electrical shielded elements, three stages with integrated regulation. "A" type without heating, air only.
- Includes Plug&Play control with 7m RJ45 cable and infrared remote control. Optional: Clever control (programmable, automatic, intelligent, energy saving, Modbus RTU for BMS...).
- Air curtain with UL components, but without being certified

Specifications

AIR ONLY 208 V

Model	Airflow m³/h	Power Fans 208V-60Hz kW	Current Fans 208V-60Hz A	Noise Level (5 m) dB(A)	Weight kg
RDAM M 1000 A 60Hz	1850	0,221	1,07	54	45
RDAM M 1500 A 60Hz	2775	0,332	1,61	55	66
RDAM M 2000 A 60Hz	3700	0,442	2,14	56	84
RDAM M 2500 A 60Hz	4625	0,553	2,68	57	93
RDAM G 1000 A 60Hz	2325	0,332	1,61	56	49
RDAM G 1500 A 60Hz	3100	0,442	2,14	57	71
RDAM G 2000 A 60Hz	4650	0,664	3,21	58	94
RDAM G 2500 A 60Hz	5425	0,774	3,75	59	103
RDAM ECG 1000 A 60Hz	2700	0,319	2,79	60	49
RDAM ECG 1500 A 60Hz	3600	0,426	3,72	61	71
RDAM ECG 2000 A 60Hz	5400	0,638	5,58	62	94
RDAM ECG 2500 A 60Hz	6300	0,745	6,51	63	103

AIR ONLY 240 V

Model	Airflow m³/h	Power Fans 240V-60Hz kW	Current Fans 240V-60Hz A	Noise Level (5 m) dB(A)	Weight kg
RDAM M 1000 A 60Hz	2000	0,263	1,10	55	45
RDAM M 1500 A 60Hz	3000	0,395	1,65	56	66
RDAM M 2000 A 60Hz	4000	0,526	2,20	57	84
RDAM M 2500 A 60Hz	5000	0,658	2,75	58	93
RDAM G 1000 A 60Hz	2475	0,395	1,65	57	49
RDAM G 1500 A 60Hz	3300	0,526	2,20	58	71
RDAM G 2000 A 60Hz	4950	0,790	3,30	59	94
RDAM G 2500 A 60Hz	5775	0,921	3,85	60	103
RDAM ECG 1000 A 60Hz	2850	0,381	2,94	61	49
RDAM ECG 1500 A 60Hz	3800	0,508	3,92	62	71
RDAM ECG 2000 A 60Hz	5700	0,762	5,88	63	94
RDAM ECG 2500 A 60Hz	6650	0,889	6,86	64	103

WATER HEATED 208 V

Model	Airflow m³/h	P86		P64		P54		Power Fans 208V-60Hz kW	Current Fans 208V-60Hz A	Noise Level (5 m) dB(A)	Weight kg
		Heating Capacity 80/60°C kW	Water Drop Pressure 80/60°C Pa	Heating Capacity 60/40°C kW	Water Drop Pressure 60/40°C Pa	Heating Capacity 50/40°C kW	Water Drop Pressure 50/40°C Pa				
RDAM M 1000 P 60Hz	1450	8,42	760	7,46	3730	7,35	1030	0,221	1,07	55	50
RDAM M 1500 P 60Hz	2175	13,09	650	11,91	5510	12,38	3770	0,332	1,61	56	74
RDAM M 2000 P 60Hz	2900	18,96	1660	15,88	4070	16,09	1720	0,442	2,14	57	95
RDAM M 2500 P 60Hz	3625	24,71	3270	19,80	3270	20,98	3390	0,553	2,68	58	106
RDAM G 1000 P 60Hz	1875	9,89	1010	8,83	5040	8,86	1430	0,332	1,61	56	55
RDAM G 1500 P 60Hz	2500	14,30	770	13,08	6490	13,70	4510	0,442	2,14	57	80
RDAM G 2000 P 60Hz	3750	22,29	2210	18,86	5530	19,40	2410	0,664	3,21	58	105
RDAM G 2500 P 60Hz	4375	27,84	4040	22,48	4100	24,07	4330	0,774	3,75	59	114
RDAM ECG 1000 P 60Hz	2550	11,89	1400	10,73	7110	10,95	2090	0,319	2,79	60	55
RDAM ECG 1500 P 60Hz	3400	17,29	1070	15,97	9240	17,02	6630	0,426	3,72	61	80
RDAM ECG 2000 P 60Hz	5100	26,87	3080	22,99	7850	24,05	3530	0,638	5,58	62	105
RDAM ECG 2500 P 60Hz	5950	33,64	5650	27,48	5840	29,90	6370	0,745	6,51	63	114

Water heated: connection pipes P86 and P64 are 2x3/4" female (male if lateral pipes), P54 2x1" male. P86 2 rows coil, P64 3 rows coil, P54 4 rows coil.



WATER HEATED 240V

Model	Airflow m³/h	P86		P64		P54		Power Fans 240V-60Hz kW	Current Fans 240V-60Hz A	Noise Level (5 m) dB(A)	Weight kg
		Heating Capacity 80/60°C	Water Drop Pressure 80/60°C	Heating Capacity 60/40°C	Water Drop Pressure 60/40°C	Heating Capacity 50/40°C	Water Drop Pressure 50/40°C				
		kW	Pa	kW	Pa	kW	Pa				
RDAM M 1000 P 60Hz	1650	9,14	880	8,12	4340	8,08	1220	0,263	1,10	56	50
RDAM M 1500 P 60Hz	2475	14,21	760	12,99	6420	13,60	4450	0,395	1,65	57	74
RDAM M 2000 P 60Hz	3300	20,58	1920	17,33	4750	17,69	2040	0,526	2,20	58	95
RDAM M 2500 P 60Hz	4125	26,83	3790	21,62	3820	23,07	4010	0,658	2,75	59	106
RDAM G 1000 P 60Hz	2250	11,04	1230	9,92	6190	10,06	1800	0,395	1,65	57	55
RDAM G 1500 P 60Hz	3000	16,02	940	14,74	8020	15,60	5680	0,526	2,20	58	80
RDAM G 2000 P 60Hz	4500	24,92	2700	21,23	6820	22,06	3030	0,790	3,30	59	105
RDAM G 2500 P 60Hz	5250	31,17	4940	25,35	5070	27,41	5450	0,921	3,85	60	114
RDAM ECG 1000 P 60Hz	2625	12,09	1450	10,92	7340	11,17	2160	0,381	2,94	61	55
RDAM ECG 1500 P 60Hz	3500	17,59	1110	16,27	9550	17,36	3500	0,508	3,92	62	80
RDAM ECG 2000 P 60Hz	5250	27,34	3180	23,42	8110	24,53	3660	0,762	5,88	63	105
RDAM ECG 2500 P 60Hz	6125	34,23	5830	27,99	6040	30,51	6600	0,889	6,86	64	114

Water heated: connection pipes P86 and P64 are 2x3/4" female (male if lateral pipes), P54 2x1" male. P86 2 rows coil, P64 3 rows coil, P54 4 rows coil.

ELECTRICAL HEATED 208 V

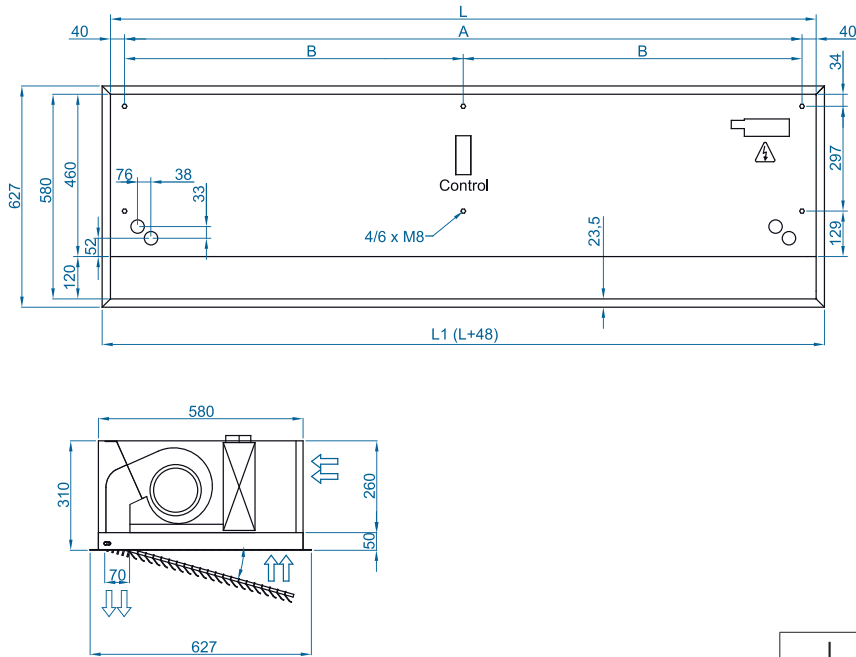
Model	Airflow m³/h	Electrical Heating Capacity 208Vx3-60Hz	Electrical Heating Capacity 460Vx3-60Hz	Electrical Heating Capacity 480Vx3-60Hz	Electrical Heating Capacity 575Vx3-60Hz	Power Fans 208V-60Hz kW	Current Fans 208V-60Hz A	Noise Level (5 m) dB(A)	Weight kg
		kW	kW	kW	kW				
RDAM M 1000 E 60Hz	1800	2/4/6	2/4,5/6,5	2,5/7,5	3,5/3,5/7	0,221	1,07	54	52
RDAM M 1500 E 60Hz	2700	3/6/9	3/6,5/9,5	3,5/7/10,5	5/5/10	0,332	1,61	55	78
RDAM M 2000 E 60Hz	3600	4/8/12	4/8,5/12,5	4,5/9/13,5	6,5/6,5/13	0,442	2,14	56	102
RDAM M 2500 E 60Hz	4500	5/8/13	5/10/15	5,5/11/16,5	8/8/16	0,553	2,68	57	113
RDAM G 1000 E 60Hz	2250	2,5/5/7,5	2,5/5/7,5	3/5/8,5	3,5/4/7,5	0,332	1,61	56	57
RDAM G 1500 E 60Hz	3000	3,5/6,5/10	3,5/7/10,5	4/7,5/11,5	5/5,5/10,5	0,442	2,14	57	84
RDAM G 2000 E 60Hz	4500	5/9/14	5/10,5/15,5	5,5/11/16,5	6,5/8/14,5	0,664	3,21	58	112
RDAM G 2500 E 60Hz	5250	5,5/9/14,5	6/12/18	6,5/13/19,5	8/9,5/17,5	0,774	3,75	59	123
RDAM ECG 1000 E 60Hz	2700	4/8/12	4/8/12	4,3/8,7/13	4/8/12	0,319	2,79	60	57
RDAM ECG 1500 E 60Hz	3600	6/9,5/15,5	5,5/10,5/16	5,8/11,7/17,5	5,5/11/16,5	0,426	3,72	61	84
RDAM ECG 2000 E 60Hz	5400	5/9/14	8/16,5/24,5	8,8/17,7/26,5	8/16/24	0,638	5,58	62	112
RDAM ECG 2500 E 60Hz	6300	5,5/9/14,5	9,5/18,5/28	10,2/20,3/30,5	9,5/19/28,5	0,745	6,51	63	123

ELECTRICAL HEATED 240 V

Model	Airflow m³/h	Electrical Heating Capacity 208Vx3-60Hz	Electrical Heating Capacity 460Vx3-60Hz	Electrical Heating Capacity 480Vx3-60Hz	Electrical Heating Capacity 575Vx3-60Hz	Power Fans 240V-60Hz kW	Current Fans 240V-60Hz A	Noise Level (5 m) dB(A)	Weight kg
		kW	kW	kW	kW				
RDAM M 1000 E 60Hz	1950	2,5/5/7,5	3,3/6,7/10	3,7/7,3/11	3,5/7/10,5	0,263	1,10	55	52
RDAM M 1500 E 60Hz	2925	3/6,5/9,5	4,8/9,7/14,5	5,2/10,3/15,5	5/10/15	0,395	1,65	56	78
RDAM M 2000 E 60Hz	3900	4/8/12	6,5/13/19,5	7/14/21	6,5/13/19,5	0,526	2,20	57	102
RDAM M 2500 E 60Hz	4875	5/8/13	8,2/16,3/24,5	8,8/17,7/26,5	8/16/24	0,658	2,75	58	113
RDAM G 1000 E 60Hz	2400	4/8/12	4/8/12	4,3/8,7/13	4/8/12	0,395	1,65	57	57
RDAM G 1500 E 60Hz	3200	6/9,5/15,5	5,3/10,7/16	5,8/11,7/17,5	5,5/11/16,5	0,526	2,20	58	84
RDAM G 2000 E 60Hz	4800	5/9/14	8,2/16,3/24,5	8,8/17,7/26,5	8/16/24	0,790	3,30	59	112
RDAM G 2500 E 60Hz	5600	5,5/9/14,5	9,3/18,7/28	10,2/20,3/30,5	9,5/19/28,5	0,921	3,85	60	123
RDAM ECG 1000 E 60Hz	2775	4/8/12	4/8/12	4,3/8,7/13	4/8/12	0,381	2,94	61	57
RDAM ECG 1500 E 60Hz	3700	6/9,5/15,5	5,3/10,7/16	5,8/11,7/17,5	5,5/11/16,5	0,508	3,92	62	84
RDAM ECG 2000 E 60Hz	5550	5/9/14	8,2/16,3/24,5	8,8/17,7/26,5	8/16/24	0,762	5,88	63	112
RDAM ECG 2500 E 60Hz	6475	5,5/9/14,5	9,3/18,7/28	10,2/20,3/30,5	9,5/19/28,5	0,889	6,86	64	123



Dimensions



	L	L1	A	B
RDAM 1000	1000	1048	920	-
RDAM 1500	1500	1548	1420	710
RDAM 2000	2000	2048	1920	960
RDAM 2500	2500	2548	2420	1210

Finishes and details



Detail of exposed inlet grille



Customizable inlet grille in RAL color optionally